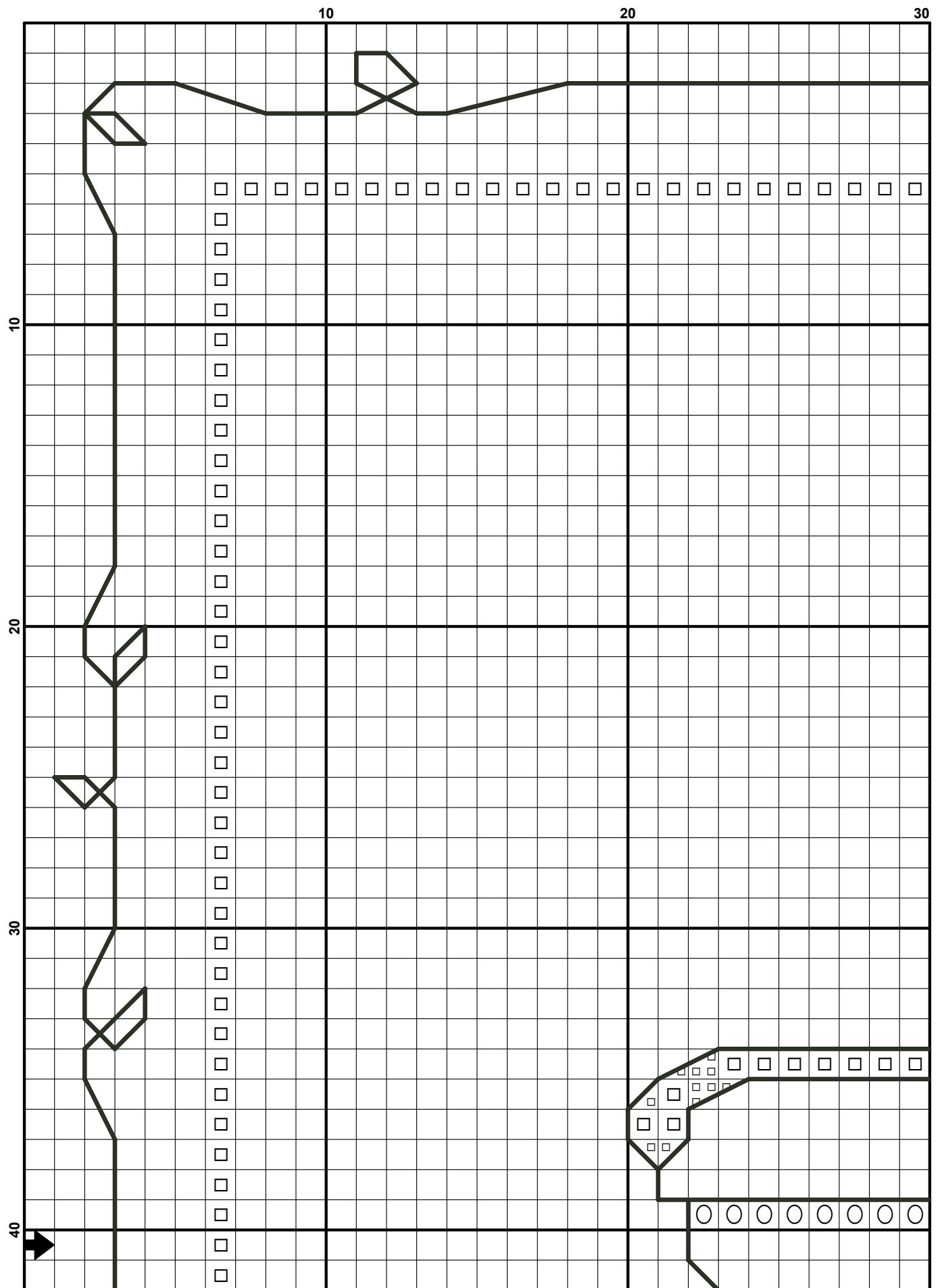
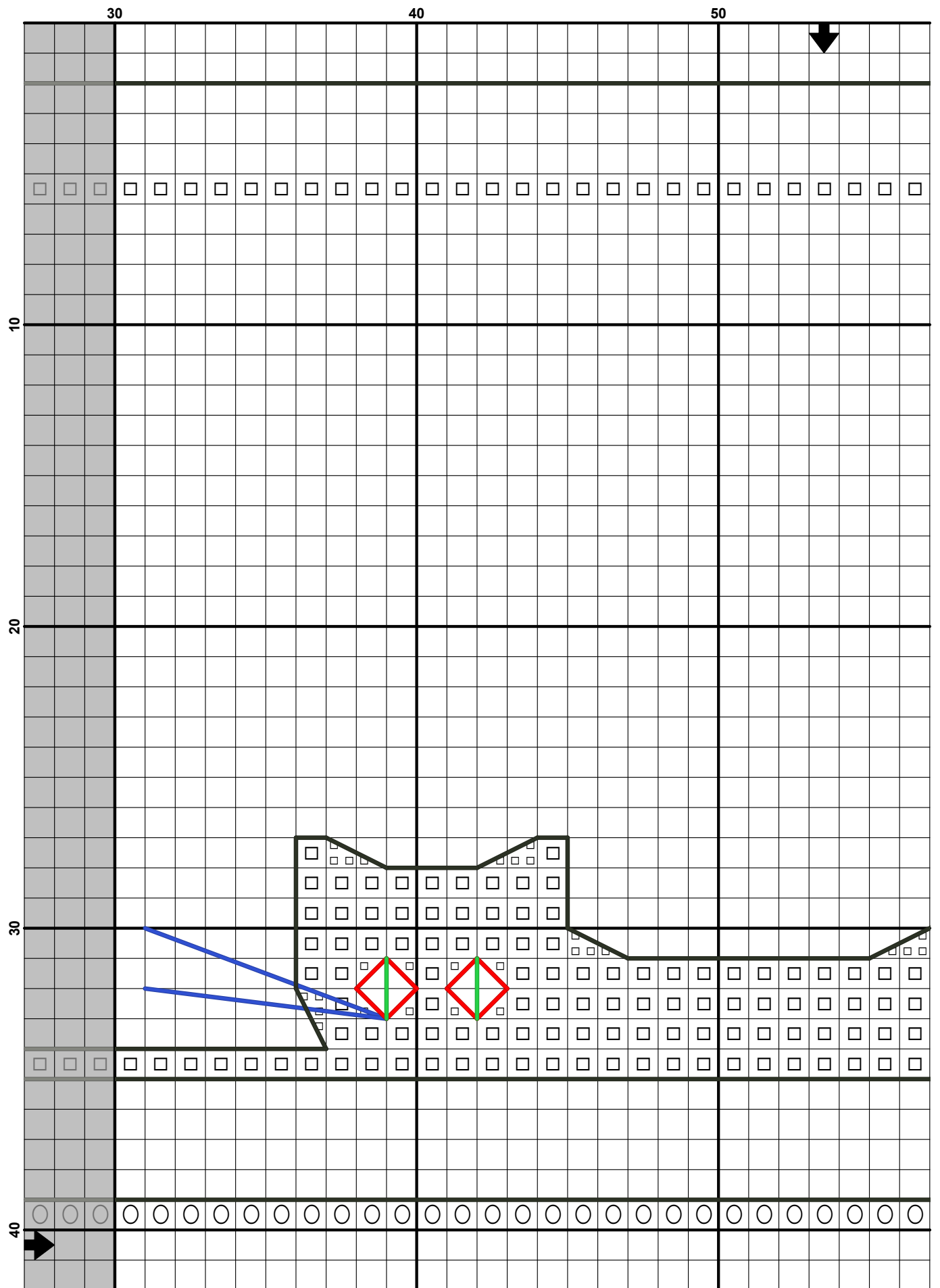
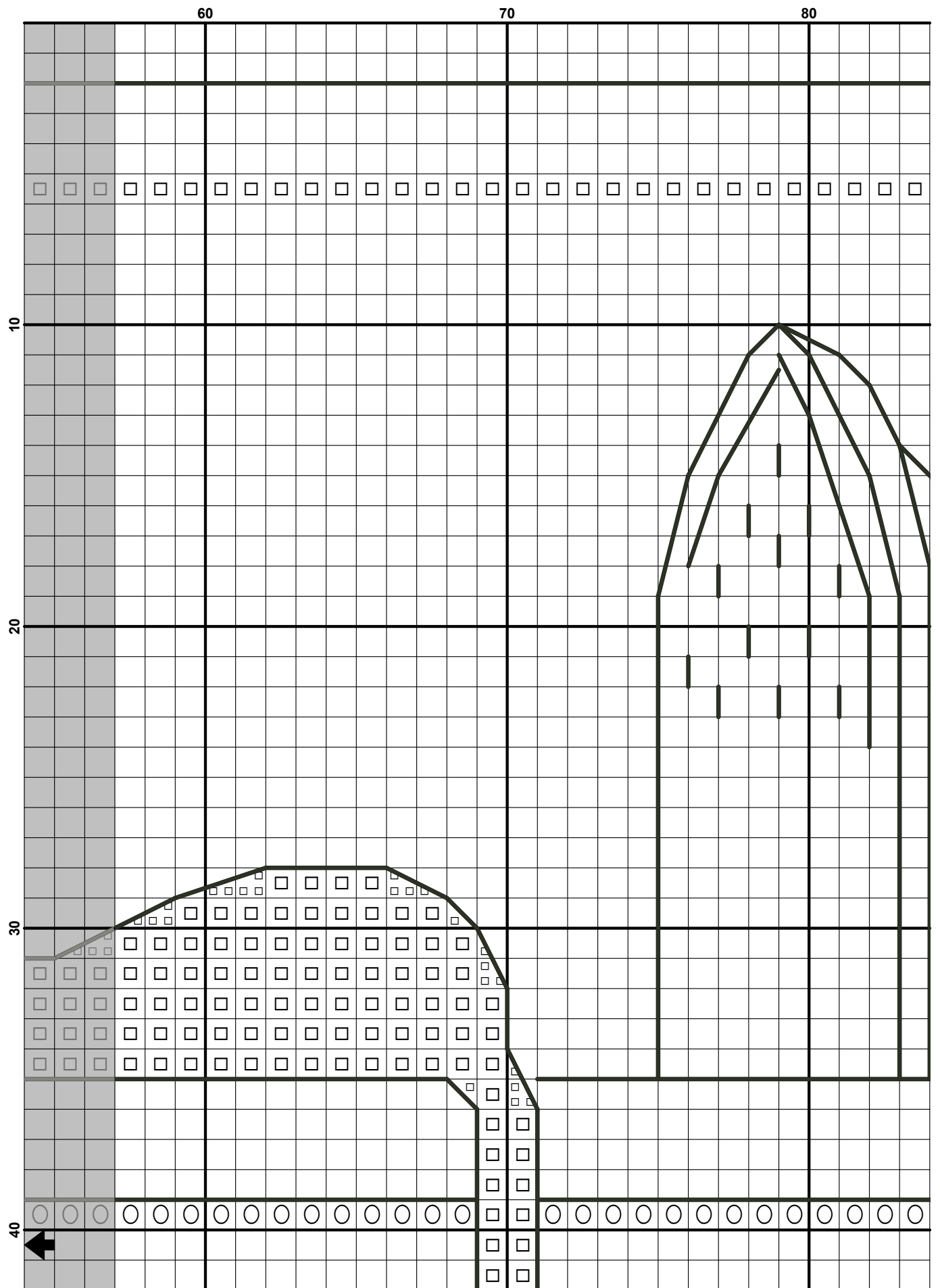


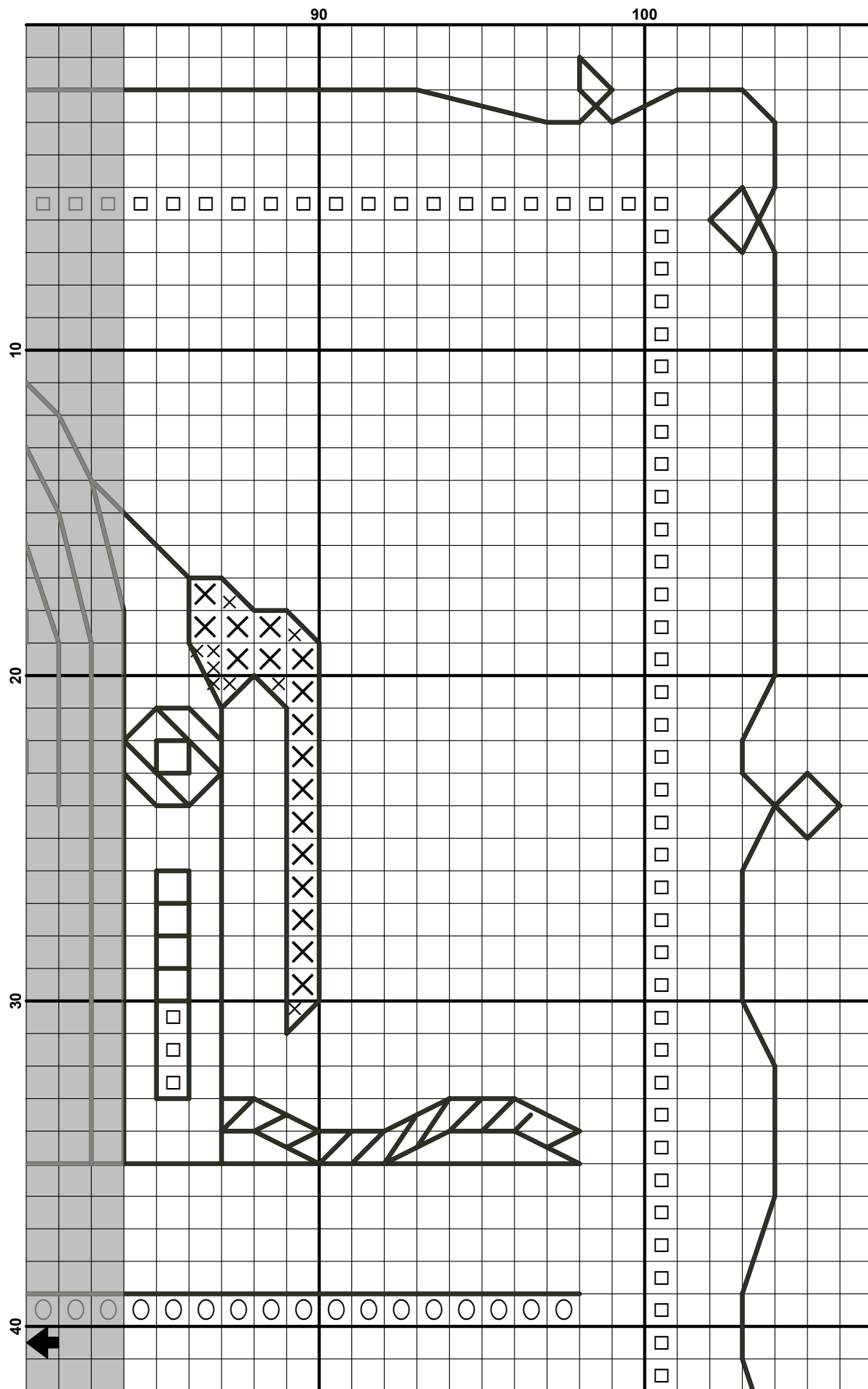
KBK

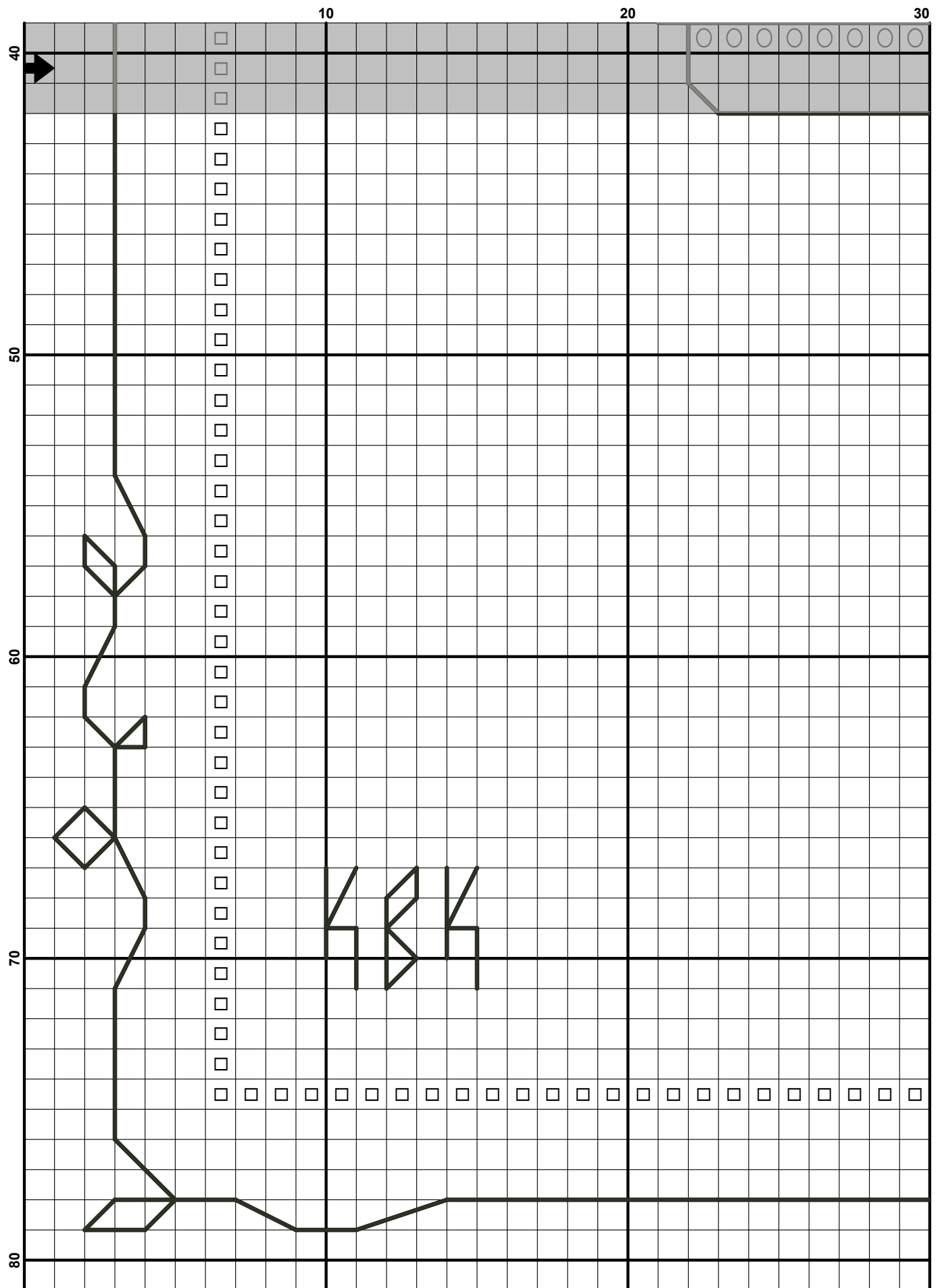
PURRMA-PRESS

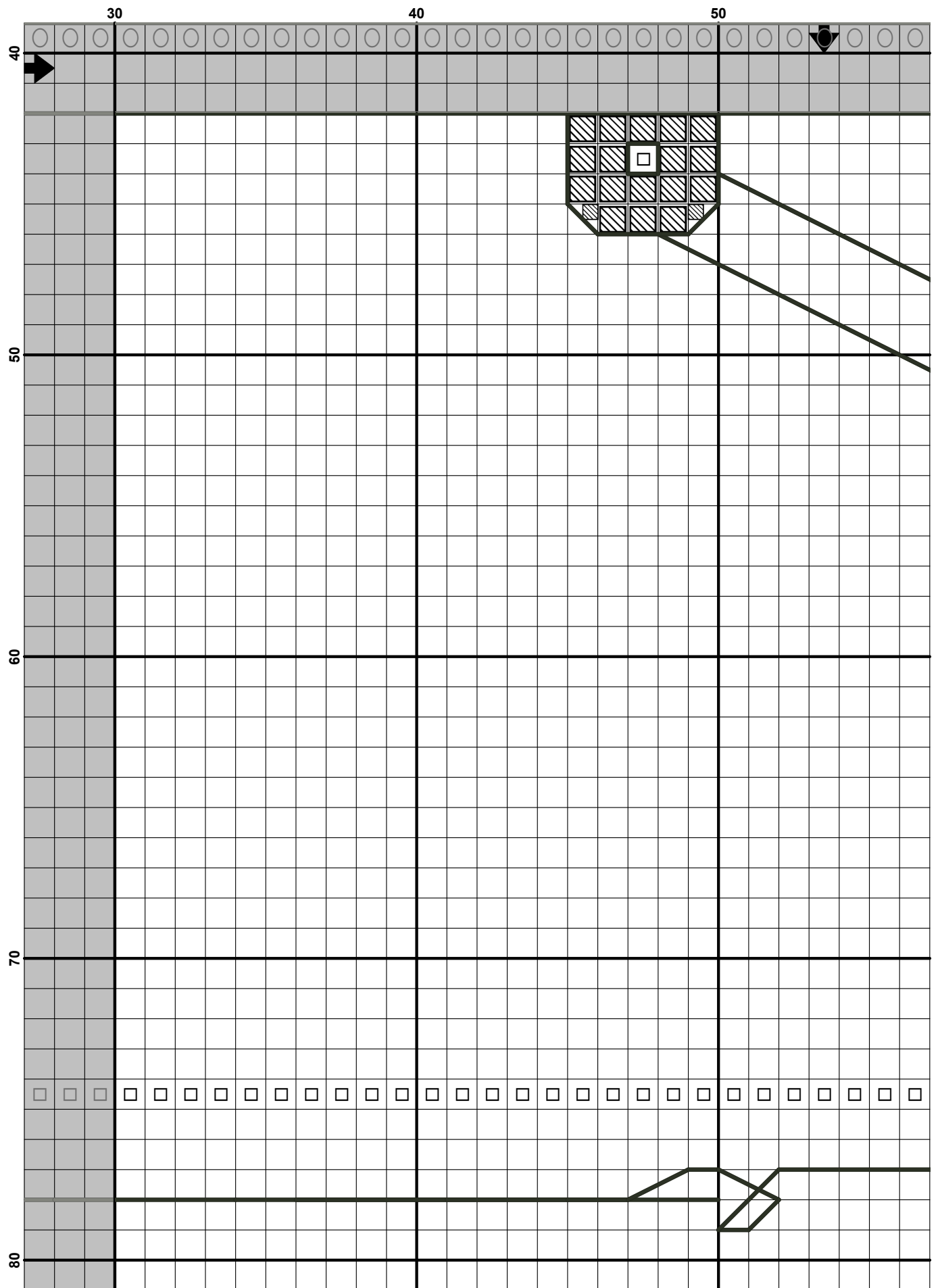


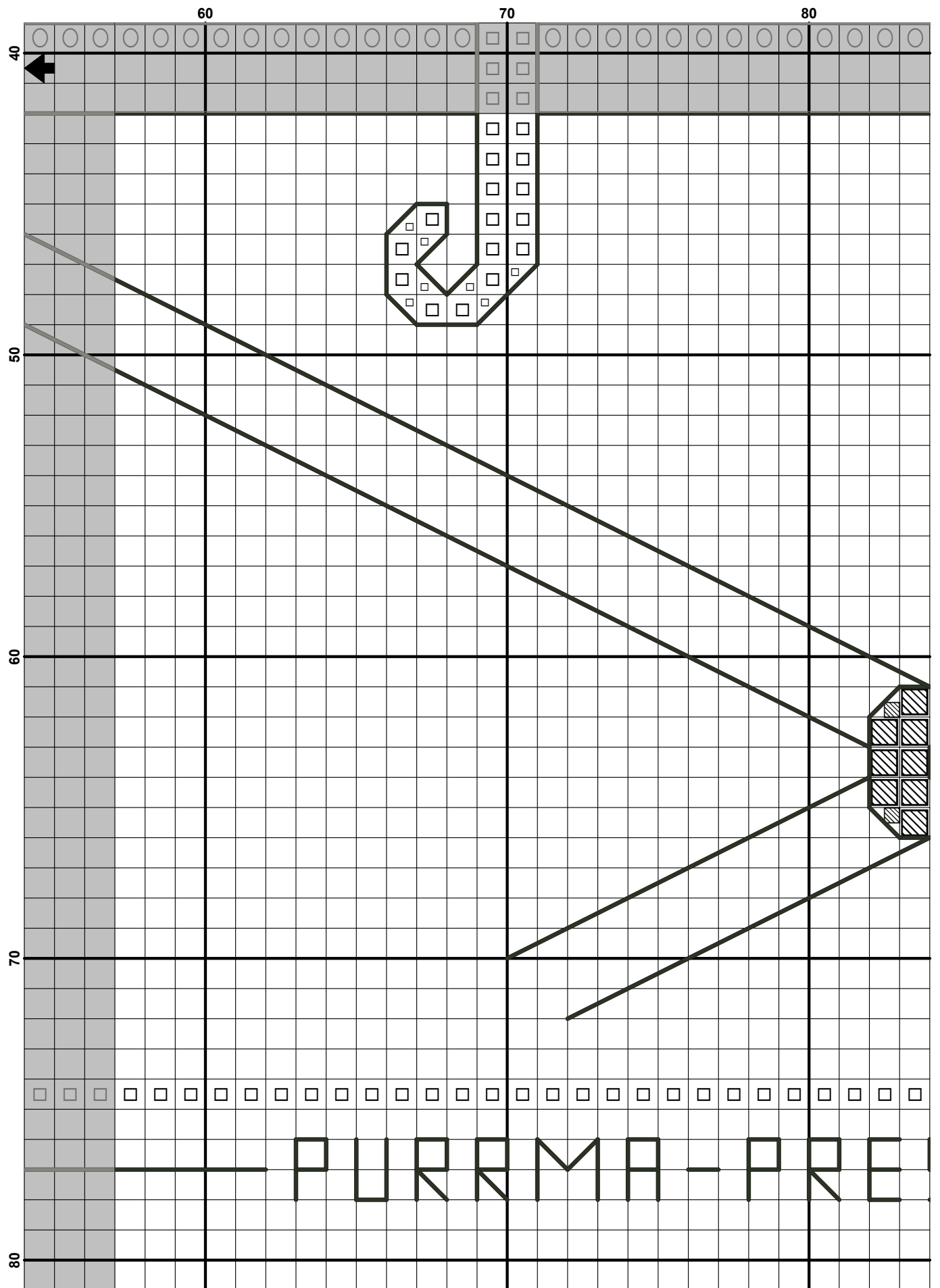




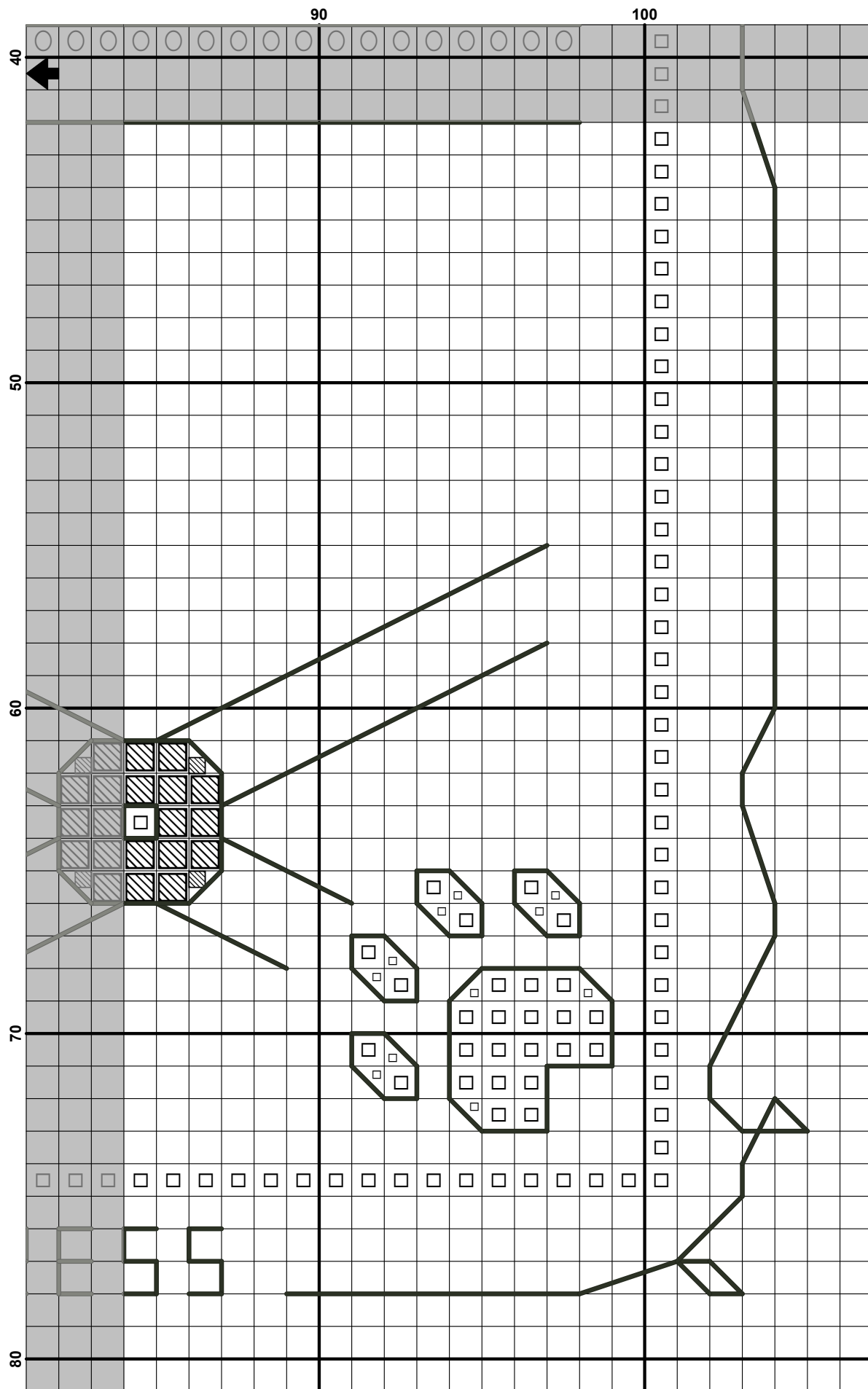












**Fabric:** Aida 14, White  
 105w X 78h Stitches  
**Size:** 14 Count, 19.05w X 14.15h cm

**Floss Used for Full Stitches:**

Symbol	Strands	Type	Number	Color
■ □	3	DMC	310	Black
■ ▨	3	DMC	340	Blue Violet-MD
■ ○	3	DMC	415	Pearl Gray
■ ×	3	DMC	3045	Yellow Beige-DK

**Floss Used for Half Stitches:**

Symbol	Strands	Type	Number	Color
■ □	3	DMC	310	Black
■ ×	3	DMC	3045	Yellow Beige-DK

**Floss Used for Quarter Stitches:**

Symbol	Strands	Type	Number	Color
■ □	3	DMC	310	Black
■ ▨	3	DMC	340	Blue Violet-MD
■ ×	3	DMC	3045	Yellow Beige-DK

**Floss Used for Back Stitches:**

Symbol	Strands	Type	Number	Color
■ —	1	DMC	310	Black
□ —	1	DMC	White	White

**Floss Used for Straight Stitches:**

Symbol	Strands	Type	Number	Color
■ —	2	DMC	310	Black
■ —	1	DMC	310	Black

**Usage Summary**

**Strands Per Skein:** 6  
**Skein Length:** 795.0 cm

Type	Number	Full	Half	Quarter	Petite	Back(cm)	Str(cm)	Spec(cm)	French	Bead	Skein Est.
■ DMC	310	581	11	58	0	93.3	1.2	0.0	0	0	1.000
■ DMC	310	0	0	0	0	0.0	0.3	0.0	0	0	1.000
■ DMC	340	37	0	6	0	0.0	0.0	0.0	0	0	1.000
■ DMC	415	74	0	0	0	0.0	0.0	0.0	0	0	1.000
■ DMC	3045	17	1	7	0	0.0	0.0	0.0	0	0	1.000
□ DMC	White	0	0	0	0	0.8	0.0	0.0	0	0	1.000

